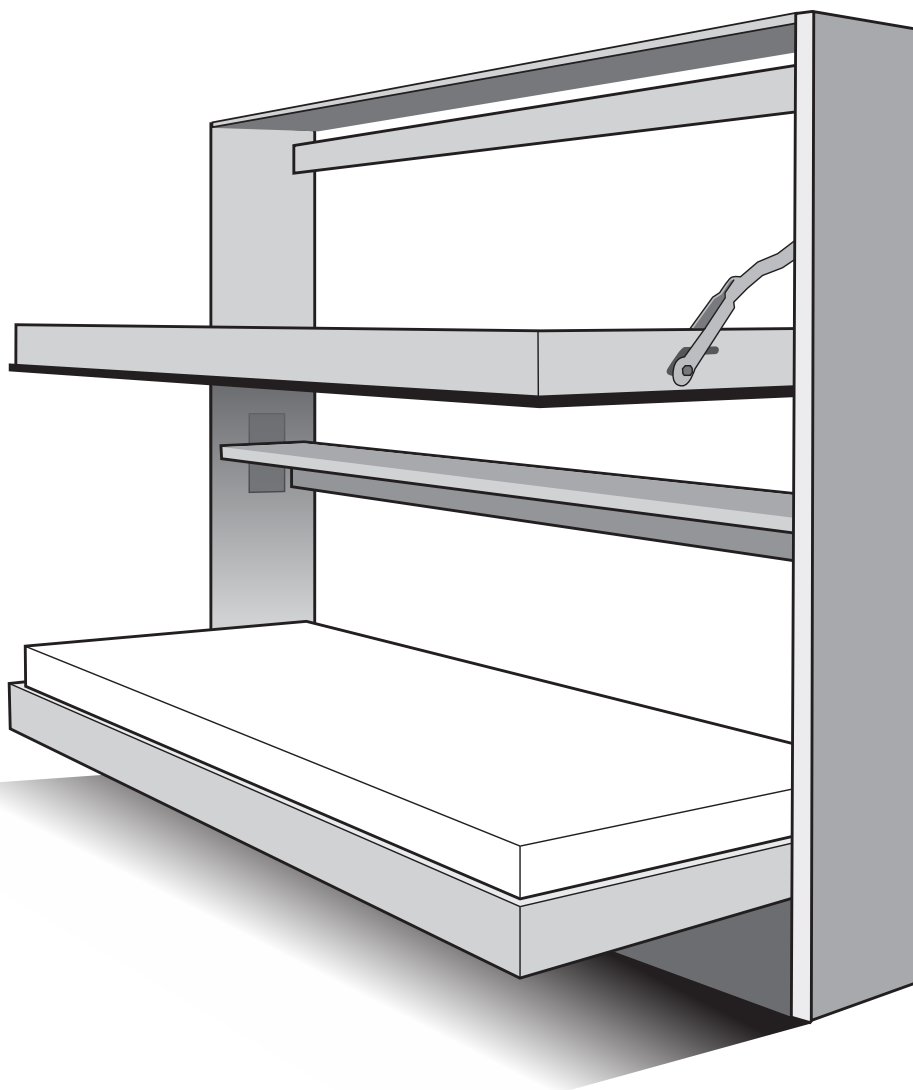




# ASSEMBLY INSTRUCTIONS

## CAPACITY BED<sup>®</sup>



# CONTENT

## Capacity Bed Double

### CONTENT



- 2 x assembly strips to attach to the wall
- 12 x furniture screws M6x45 to attach the bed to the assembly strips
- 4 x cover plates
- 2 x coupling brackets with screws to attach the bed cabinet with  
6 guide pins (wooden plugs) to place the upper bed in the correct position
- 1 x lower bed/Cabinet
- 1 x upper bed/cabinet
- 1 x reversible pocket sprung mattress 800x1,800x140 mm for lower bed\*
- 2 x mattress topper 800x1,880x20 mm fully quilted\*
- 1 x polyether mattress 800x1,800x80 mm for upper bed. Quality 45 kg/ 070\*
- 1 x ladder

\* The mattress dimensions may vary by +/- 1-2%

**Assembly instructions are supplied digitally**

### DELIVERY

Capacity beds are supplied in standard design with white melamine coated wood-fibre board, manufactured according to half the E1 requirement, which meets the requirement for the Nordic Swan Ecolabel.

Capacity beds are supplied on pallets in two sections. The mattresses, ladder and other contents are packed inside the beds. The fixing material to attach the product to the wall is not included as PMI does not know what material is required.

### FOR ASSEMBLY, THE FOLLOWING ARE REQUIRED IN ADDITION TO THE CONTENTS

- Spirit level
- Screwdriver
- Bits
- Drill
- Drill machine
- Screws/plugs/wall anchor for attaching the assembly strips to the wall

**The work should be carried out by at least two people!**



### CAUTION!

- The maximum thickness of the mattress on the upper bed is 10 cm, because the standard requires a 16 cm-high guard rail measured from the top of the mattress.
- The bed must NOT be used if an important part is missing or is broken.
- Children playing on the bed are at risk of strangulation with the strap that holds the mattress in position on the bed.
- The upper bed is not suitable for children under the age of 6 because there is a risk of injury if they fall.
- If the ladder is to be stored in the bed, it is essential that it is tied in a fixed position so that it stays close to the guard rail and the front of the bed.  
When it is stored, the ladder also has the function of holding the bedding in place.
- If the bedding and ladder are not strapped correctly, it could destroy the attachment of the bed to the wall, or damage the wall.

# TECHNICAL DESCRIPTION

## Capacity Bed

### TECHNICAL DATA

Can be ordered as a single bed or bunk beds.

The product is supplied in 2 sections.  
The lower section and the upper section.

### CAPACITY BED DOUBLE

#### DIMENSIONS & WEIGHT

##### Standard bed, external dimensions (mm):

W: 2,086

H: 1,816

D: 300

##### Lower bed (mm):

B: 2,086

H: 910

D: 300

Bed dimensions 800 x 1,880

Sleeping height from floor - top edge

Mattress topper: 405

Weight: 72 kg

##### Upper bed (mm):

W: 2,086

H: 906

D: 300

Bed dimensions 800 x 1,880

Sleeping height from floor top edge

Mattress topper: 1,233

Weight: 80 kg

Ladder: 4 kg

### CAPACITY BED COMBI

Details as Double, with 300 mm higher lower section without bed, which gives a height of 2,116 mm and weight approx. 33 kg.

Ladder Combi weight approx. 5 kg.

### CAPACITY BED SINGLE

Details as Double, with only lower bed.

#### Single wall bed wrapped on pallet with dimensions (mm):

W: 720

H: 1,100

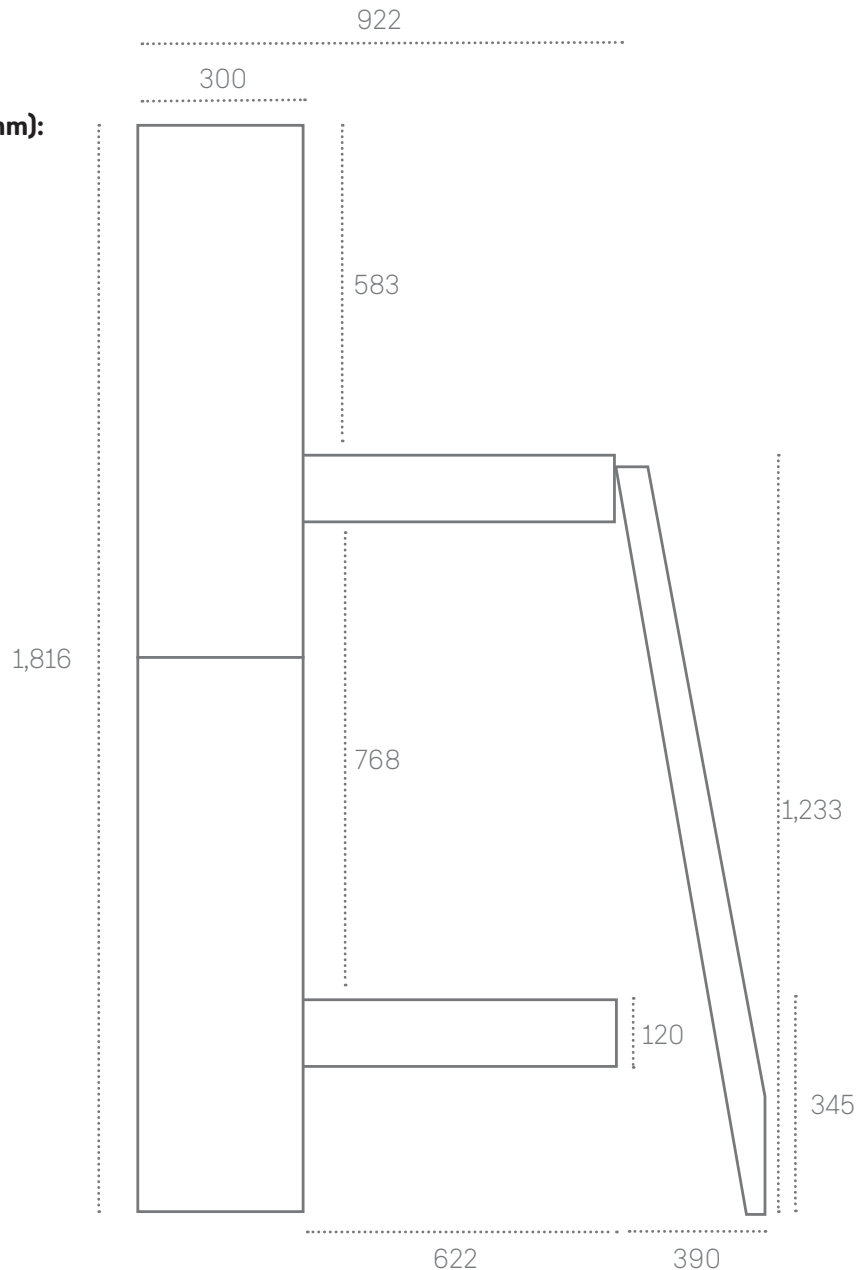
L: 2,140

#### Two wall beds wrapped on pallet with dimensions (mm):

W: 950

H: 1,400

L: 2,140



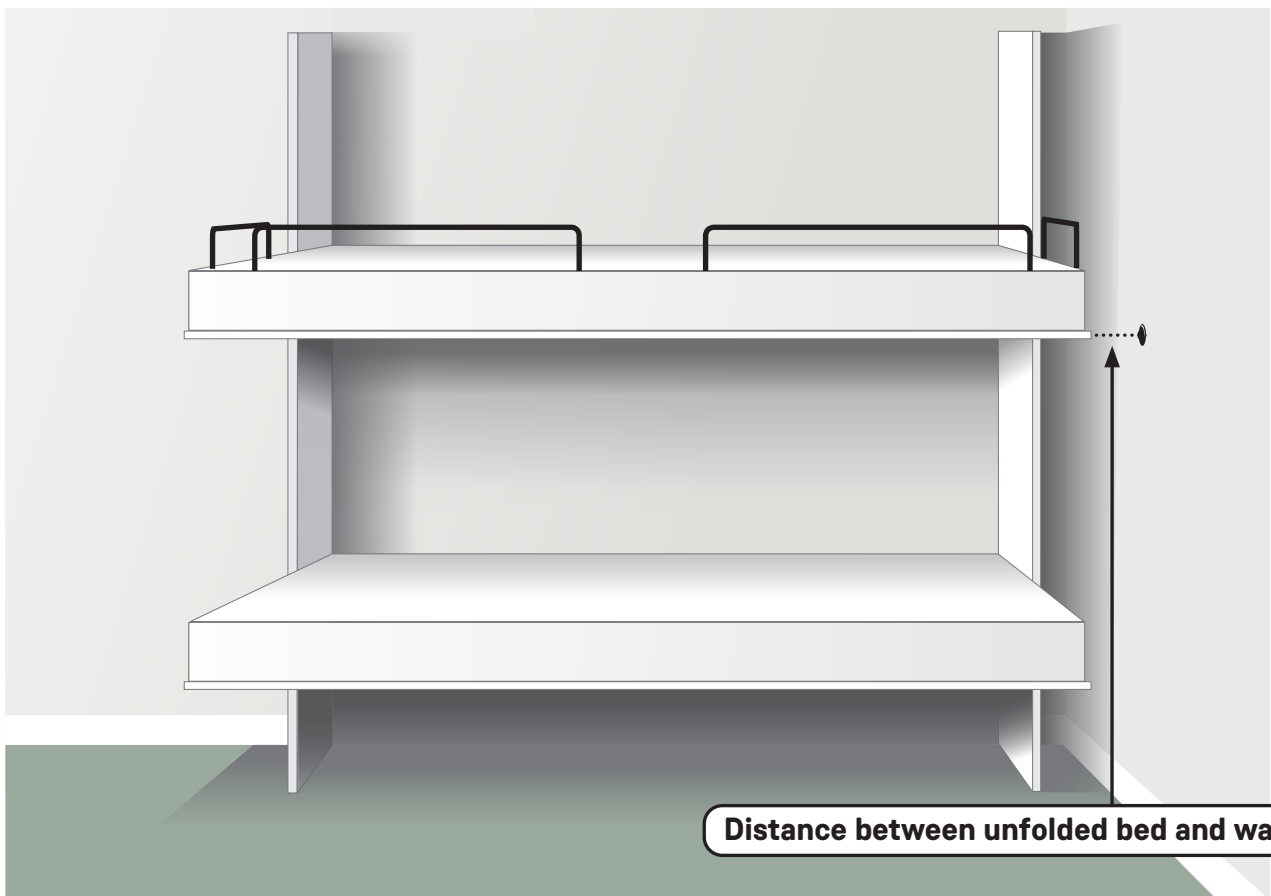
# THE FOLLOWING FACTORS ARE CRUCIAL FOR PROPER ASSEMBLY



In order for the installation to be approved to standard EN 747:2012+A1:2015, the distance between the unfolded bed and the wall must be below 55 mm or above 230 mm.

## THE FOLLOWING FACTORS ARE CRUCIAL FOR PROPER ASSEMBLY

- . All assembly instructions must be followed.
- . The floor and wall must be straight. If the floor or the wall is uneven and the bed is not assembled at a right angle, the panels will jam or open and will not function properly.
- . The bed must be mounted flat against the wall.
- . The bed must be mounted in a level position.
- . It must be mounted according to the description and in a professional manner.
- . Screws should be attached loosely until the bed is completely in position. Tighten all screws fully at the end.
- . There must be no loose attachments.



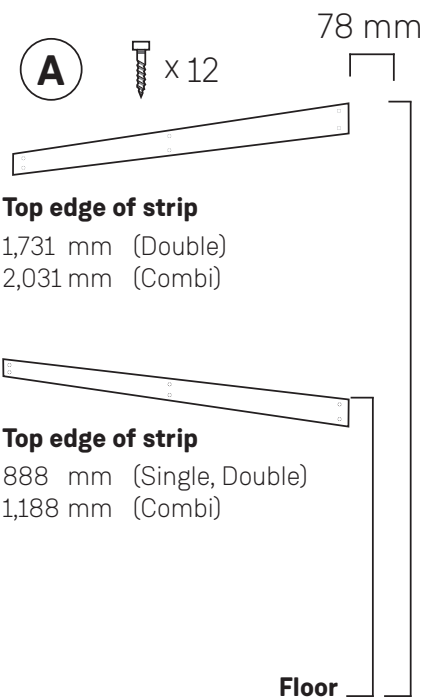
# ASSEMBLY INSTRUCTIONS

## Capacity Bed Double/Combi/Single

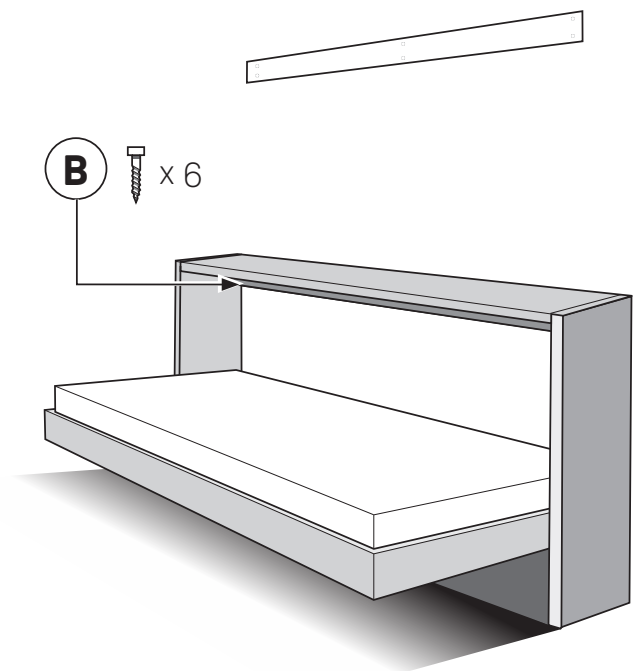
- A** **Attach the assembly strips provided** with strong screws that are suitable for the actual wall material. It is important that the screws are fixed to the wall studs. The assembly strips are 38 mm shorter than the inside of the upper cabinet.

On Capacity Bed Single it must be mounted at a height of 888 mm.  
 On Capacity Bed Combi at heights of 2,031 mm and 1,188 mm.  
 On Capacity Bed Double at heights of 1,731 mm and 888 mm.  
*The measurement is from the floor to the top edge of the strip.*

When assembling in a corner/side wall, the assembly strip should be positioned 78 mm from the wall.

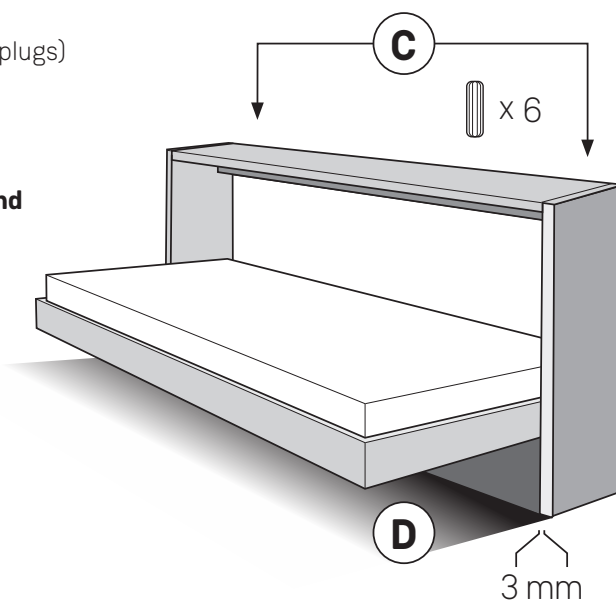


- B** **Put the lower bed into position.** Check carefully that the bed is standing level and flush against the wall before screwing in the six (6) screws provided into the assembly strip on the wall.

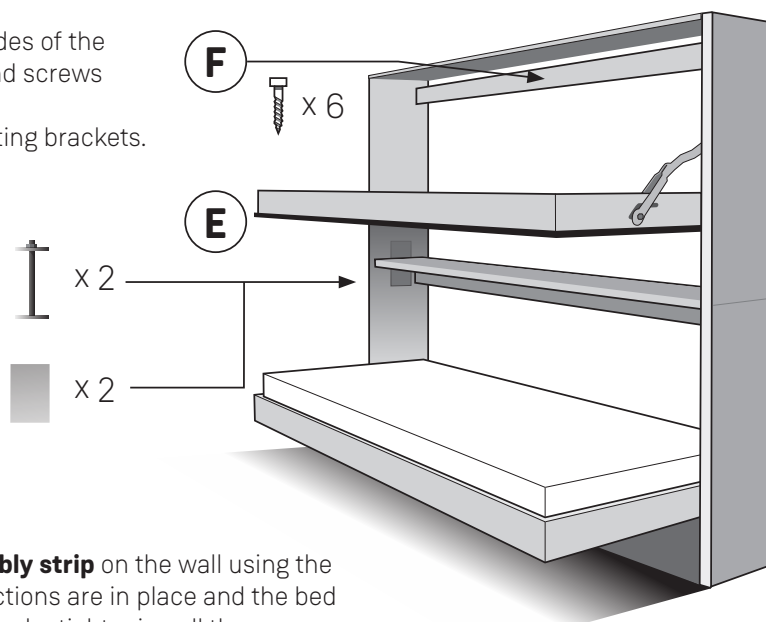


- C** Insert the **guide pins that are included** (wooden plugs) to assemble the upper bed. to assemble the upper bed.

- D** The **gap between the front of the bed and the end surface must be 3 mm**, distributed evenly. If it becomes clear that the bed is not straight after the wall strip has been mounted, spacers can be inserted before screwing the bed frame to the assembly strip.



- E** **Lift the upper bed**, assemble the sides of the bed with the connecting brackets and screws provided. Fit the cover plates over the connecting brackets.

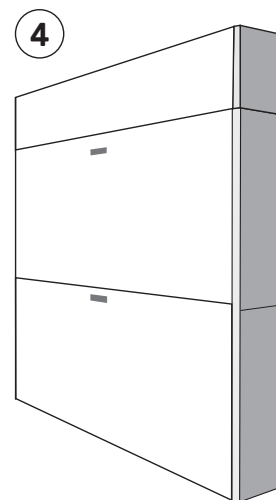
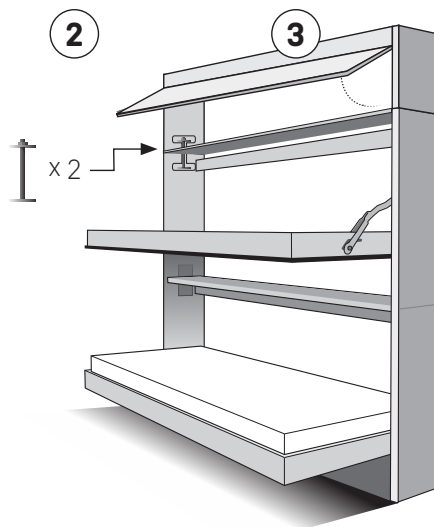
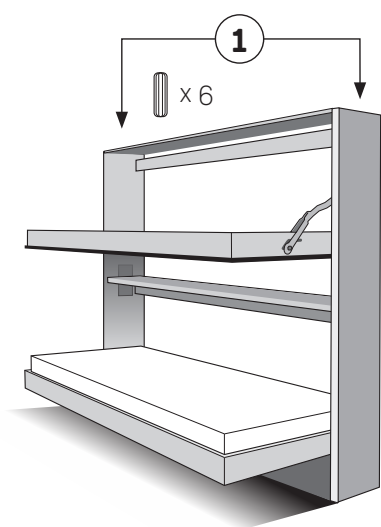


- F** **Attach the bed to the upper assembly strip** on the wall using the six (6) screws provided. When all sections are in place and the bed is standing level, finish the installation by tightening all the screws until they are secure. If it is difficult to open the bed, try loosening the screws a little.

# ASSEMBLY INSTRUCTIONS - OPTION

## Connection to the ceiling/superstructure

- 1** Fit the **guide pins** (wooden plugs) to centre the connecting section.
- 2** Lift up the **connecting section onto the upper bed**. Make a mark in the suspended ceiling for drilling. Lift down the connecting section, drill and plug.
- 3** Lift up and **screw the superstructure onto the upper bed** and ceiling. Initially screw it loosely to allow you to tighten it later. The ceiling connection has an openable cover at the front to facilitate assembly.
- 4** Finish by using **discreet fixing brackets** to mount the **ceiling connection strips** which eliminate any difference in height to the ceiling that there may be.



# OPTION · GUARANTEE

## Capacity Bed Double/Combi/Single

The product's beds are tested and approved for people weighing a maximum of 100 kg according to the standard EN 747:2012+A1:2015. The beds in the Capacity Bed can be unfolded and used individually, independently of each other.

### On request, PMI can provide documentation for:

- Preliminary planning of installation.
- In-house checks by installers.

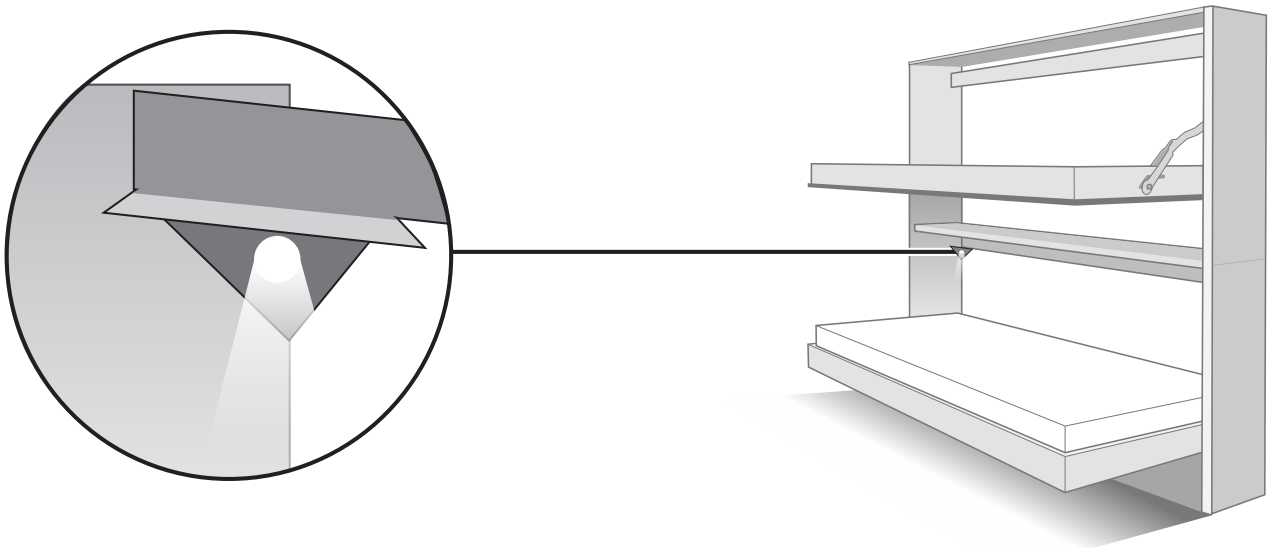
### CLEANING

Painted surfaces can be cleaned using cleaning products intended for household use available in retail stores. Follow the instructions on the packaging.

**But do not use** abrasive powder or other products that contain abrasives that could scratch the surface. Do not use products that contain ammoniac either.

### OPTION

- Superstructure - ceiling connection that allows the product to be attached to the ceiling. This is beneficial if the walls do not allow the bed to be safely attached to them. (Separate assembly instructions.)
- Brackets for floor-mounting are included, but are not necessary if other brackets feel secure.
- Mattress protector in terry fabric, washable at 60 degrees.
- LED reading light with USB charger socket. Lighting with warm white LED. Complete with power cord and transformer.



### 5-YEAR GUARANTEE

Thank you for choosing a PMI product. We hope you will have many years of satisfaction from it. PMI offers a 5-YEAR GUARANTEE on the product, which is valid for material defects and manufacturing defects.



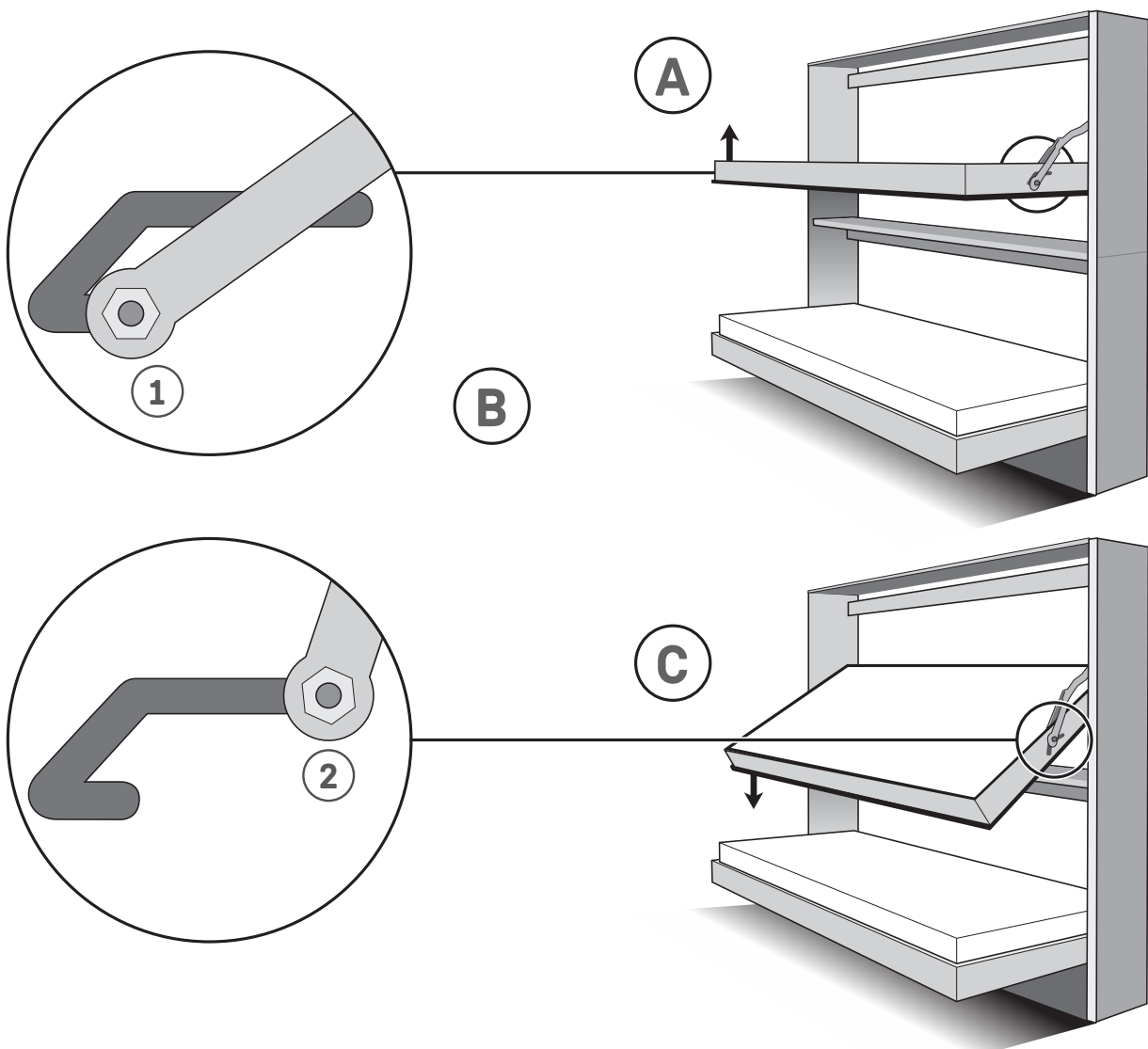
# CHANGING THE BEDDING

## Capacity Bed Double/Combi

There is a tilt function for the bed position for changing the bedding on the upper bed. This function is intended to facilitate access when changing bedding. Follow the instructions below on both sides of the upper bed, then tilt down the bed.

See the instruction video on youtube: <https://youtu.be/3QfWSFGIa1E>

- A** Lift the front edge of the upper bed a little.
- B** Bring the arm forward from position 1 to position 2 on both sides of the bed. Make sure that the hinge goes into the right track.
- C** Tilt the bed down into the bed position.





**FOR MORE INFORMATION**

Main number: +46 (0)662 51 21 40

Sales: +46 (0)72- 721 37 38

[www.pmiab.se](http://www.pmiab.se)

[sales@pmiab.se](mailto:sales@pmiab.se)